

Drum 900

P E N D A N T



FITTING INFORMATION

SHADE

Material : Polymer, Parchment or Bonded Fabric
Refer to swatches on page 2.
Size : Ø900 x H200, 300, 400 or 500mm
Diffuser : Opal acrylic
Cleaning : Dust regularly

Suspension - adjustable on installation

Clear Flex & Stainless Steel Cable suspension:
Length: 1000mm overall suspension length + depth of shade
Custom lengths available on request.

Canopy

Material: Aluminium
Finish: Natural Silver anodised
Size: Ø80mm x H30mm

Application

Indoor (IP20)

TECHNICAL DATA

Lamp

Retrofit LED GLS lamp, BC base
OR
Integrated LED Module & ECG:
L90 @50,000 Hours+

PHASE

3000K, 25W, 4010lm max
4000K, 25W, 4120lm max

DALI

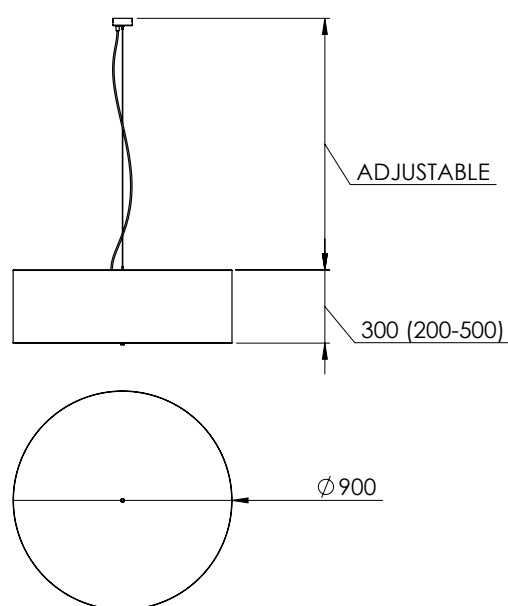
3000K, 37.8W, 5880lm max
4000K, 37.8W, 5990lm max

Switching & Dimming

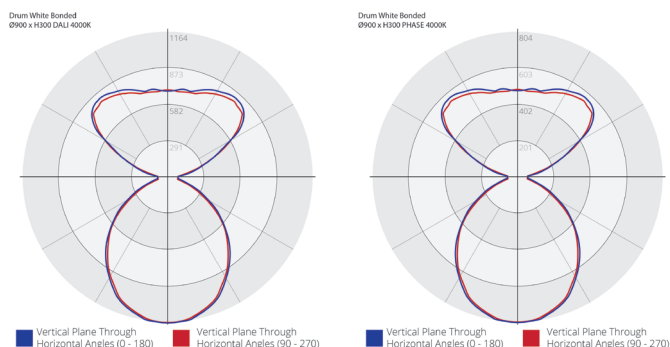
Switching: Hardwired to power supply, wall switched
Dimming: Subject to lamp compatibility or,
integrated DALI or leading or trailing edge
Phase dimming

.IES & .RFA files upon request

DIMENSIONAL DRAWING



PHOTOMETRIC DATA



ISM

www.ismobjects.com.au

©2024
Specifications are subject to change without notice.
Contact: sales@ismobjects.com.au

ORDER INFO

Product range - Model number - Finish/Colour

Please specify lamp colour temperature and bonded fabric required.

	White Polymer Lampshade	White Parchment Lampshade	Natural Parchment Lampshade	White Bonded Fabric Lampshade	Black Bonded Fabric Lampshade	Custom Bonded Fabric Lampshade
Retrofit LED BC Lamp	DP-P105-310	DP-P105-311	DP-P105-312	DP-P105-314	DP-P105-316	DP-P105-399
Phase Dimmable	DP-P159-310	DP-P159-311	DP-P159-312	DP-P159-314	DP-P159-316	DP-P159-399
DALI Dimmable	DP-P144-310	DP-P144-311	DP-P144-312	DP-P144-314	DP-P144-316	DP-P144-399

CUSTOM BONDED FABRIC OPTIONS

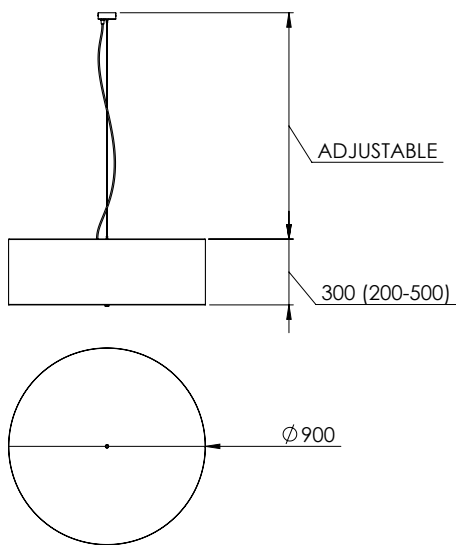
100gsm, 65% Polyester, 35% Cotton



ISM

www.ismobjects.com.au

©2024
Specifications are subject to change without notice.
Contact: sales@ismobjects.com.au



DRUM 900

PENDANT

Brushed aluminium canopy and stainless steel cable + flex suspension. Lampshade in a choice of standard parchment and fabrics or custom materials upon request.

Four height options available:
200, 300, 400 or 500mm.

ism

www.ismobjects.com.au

©2024
Specifications are subject to change without notice.
Contact: sales@ismobjects.com.au