

STUDIO 8 WALL LAMP

FITTING INFORMATION

Body

Material : Aluminium
Colour Option: Anodised Black
Size : Ø19mm x H700mm
Cleaning : Damp cloth with mild detergent

Shade

Material: Aluminium
Size: Ø200mm x H140mm
Colour: External Shade - Anodised Black
Internal Shade - Flat White powder coat
Cleaning: Damp cloth with mild detergent

Mounting

Wall Mount
Footprint: 2 x Ø50mm discs 500mm apart
Mounting: 4 x M4 Countersunk screw holes, 34.5mm apart on disc

Flex cable

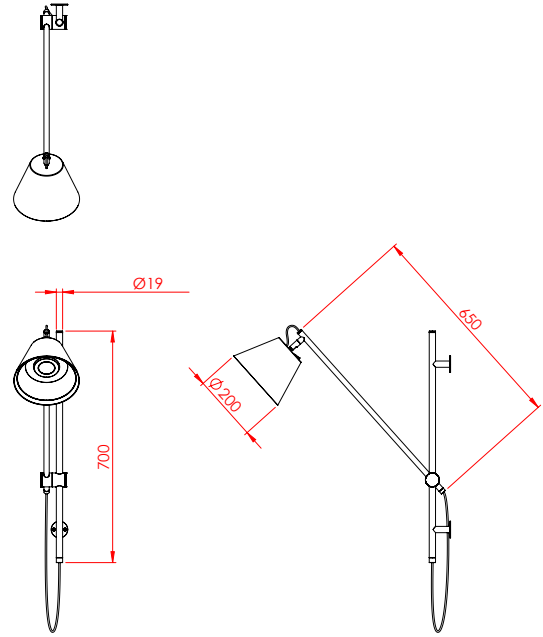
Material: Black fabric flex

Application

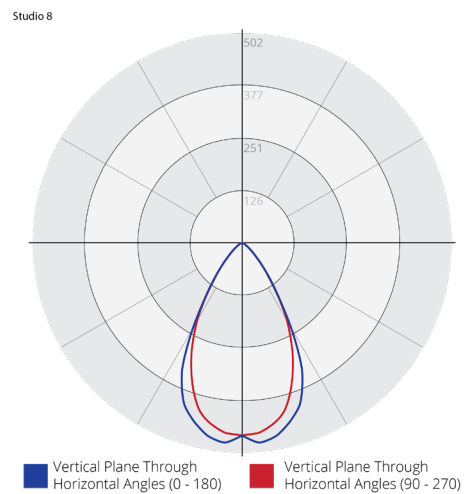
Indoor (IP20)



DIMENSIONAL DRAWING



PHOTOMETRIC DATA



TECHNICAL DATA

Lamp

LED Retrofit GU10, 3000K, 5.5W, 240V, 380lm

Switching & Dimming

Switching: On fitting rocker switch, located top of shade

.IES & .RFA files upon request

ORDER INFO

Product range - Model number - Finish/Colour

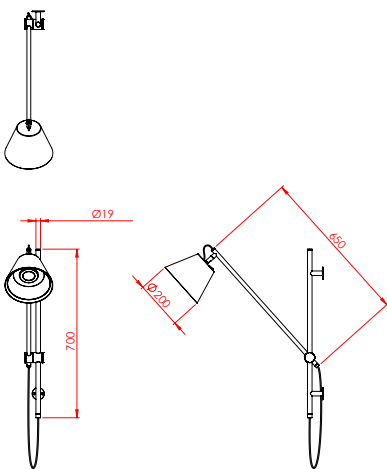
Studio 8 Wall Lamp	Matt Black with Satin Brass
Hardwired, Switch on Shade	S8-W01-515



STUDIO 8

FLOOR & WALL LAMP

The Studio 8 features aluminium wall bracket & stem in Matt Black anodised finish, couplings in Satin Brass, rocker switch located on the shade and GU10 Retrofit LED.



ism

www.ismobjects.com.au

©2023

Specifications are subject to change without notice.