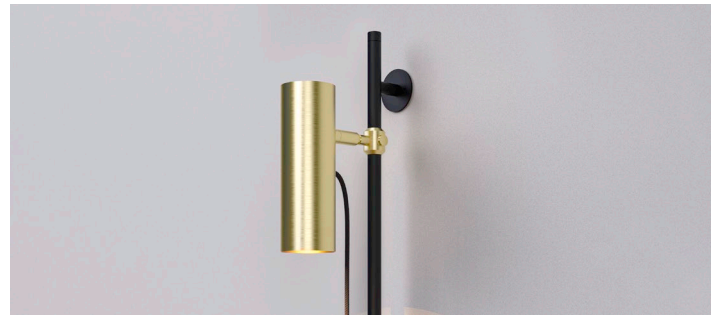


# LUXE 2.0

## WALL LAMP



### FITTING INFORMATION

#### Shade

Material : Aluminium  
 Finish: Satin Brass OR Black Anodised  
 Size : Ø60 x H180mm  
 Cleaning : Damp cloth with mild detergent

#### Wall Stem

Material: Aluminium  
 Finish: Black Anodised Finish  
 Size: Ø16 x H510mm  
 Cleaning: Damp cloth with mild detergent

#### Mounting

Wall mount footprint: 2 x Ø50mm discs 398mm apart  
 Mounting: 2 x M4 countersink screws, 32mm apart on disc

#### FLEX

Colour options: Black Fabric Cable

#### Application

Indoor (IP20)

### TECHNICAL DATA

#### Lamp

1 x LED GU10 lamp, 3000K, 7W, 240V input, 565lm max

#### Switching & Dimming

Switching: On fitting rocker switch, located top of shade.  
 Dimming: Not available.

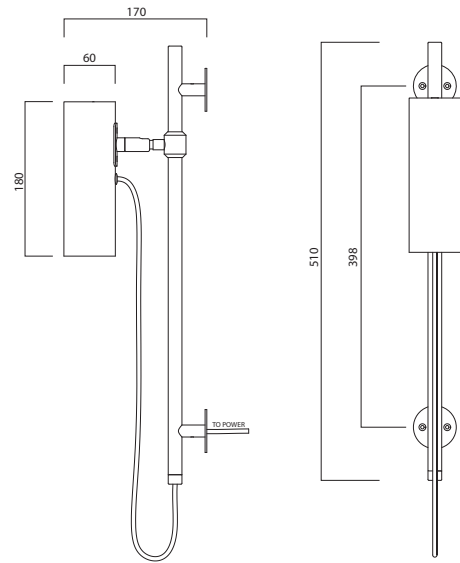
.IES files available upon request.  
 .RFA files coming soon.

### ORDER INFO

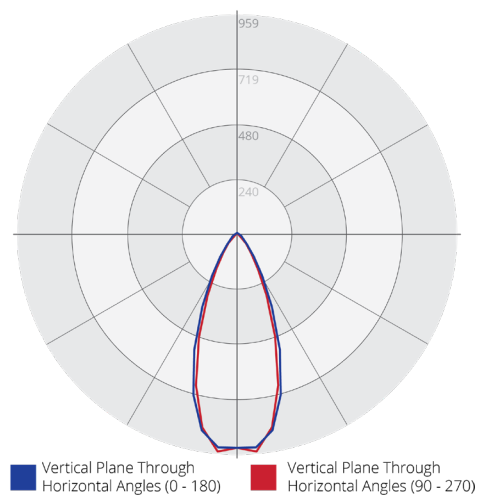
#### Product range - Model number - Finish/Colour

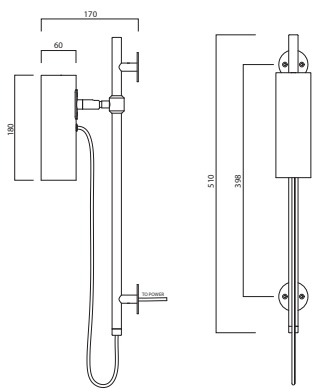
(Wall Mount / Adjustable Shade)	Hardwired
Matt Black/Satin Brass	LX-W05-516
Matt Black/Matt Black	LX-W05-515

### DIMENSIONAL DRAWING



### PHOTOMETRIC DATA





# LUXE 2.0

WALL LIGHT

Aluminium wall bracket and stem in matt black anodised finish. Adjustable shade and swivel in a choice of satin brass or matt black anodised finish.

**ism**

[www.ismobjects.com.au](http://www.ismobjects.com.au)

©2020

Specifications are subject to change without notice.