

# SNAG DOUBLE

## HORIZONTAL PENDANT

CUSTOM SHORT & LONG

### FITTING INFORMATION

---

#### *Body*

Material : Aluminium  
Colour: Bright Brass  
Size : Ø60mm x L2100mm  
Diffuser: Opal Acrylic  
Cleaning : Damp cloth with mild detergent

#### *Suspension - adjustable on installation*

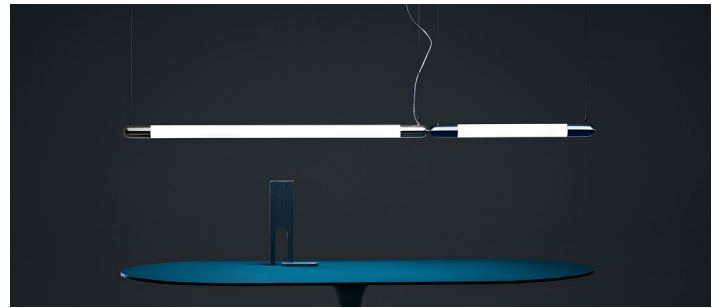
Flex and Stainless Steel cable suspension:  
Flex Colour: Clear  
Length: 1060mm overall  
Custom lengths available on request.

#### *Canopy*

Material: Aluminium  
Finish: Powder coat White  
Size: Ø80mm x H30mm

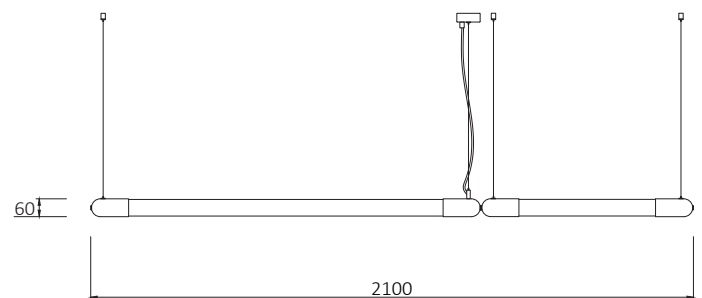
#### *Application*

Indoor (IP20)



### DIMENSIONAL DRAWING

---



### TECHNICAL DATA

---

#### *Lamps*

18W G13 T8 Retrofit LED lamp  
Beam Angle: 270°  
Colour Temperature: 3000K

9W G13 T8 Retrofit LED lamp  
Beam Angle: 270°  
Colour Temperature: 3000K

#### *Switching & Dimming*

Switching: Hardwired to power supply, wall switched  
Dimming: Leading or trailing edge Phase dimming  
options subject to lamp compatibility

**ISM**

[www.ismobjects.com.au](http://www.ismobjects.com.au)



# SNAG DOUBLE

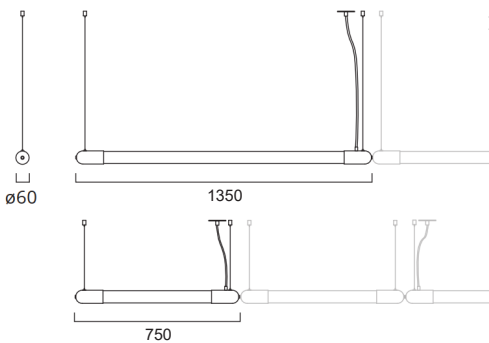
## HORIZONTAL PENDANT

CUSTOM SHORT & LONG

Snag is a fun linear fitting in two standard sizes that can take many forms.

Infused with a retro aesthetic from the 1980's, Snag takes humorous inspiration from our casual Australian way of life.

The decorative ends of Snag are spun in aluminium and available in a choice of four bright gloss metallic finishes – copper, brass, stainless steel and black chrome. The high quality tubular diffuser ensures an even distribution of light in all directions from the LED lamp source inside.



**ism**

[www.ismobjects.com.au](http://www.ismobjects.com.au)

©2020

Specifications are subject to change without notice.