

CLOCHE

PENDANT

LARGE

FITTING INFORMATION

SHADE

Material : Aluminium
 External colour : Traffic White, Marine, Signal Orange, Quartz Grey powder coat
 Internal colour : Gloss White
 Size : Ø800mm x H250mm
 Diffuser : Flush fitted Matt White acrylic
 Cleaning : Damp cloth with mild detergent

Suspension - adjustable on installation

Clear Flex & 3 Stainless Steel Cable Suspension
 Flex Colour: Clear
 Length: 1250mm Overall
 Custom lengths available on request.

Canopy

Material: Aluminium
 Finish: White Powder Coat
 Size: Ø80mm x H30mm

Application

Indoor (IP20)

TECHNICAL DATA

Lamp

Led Module with integrated ECG

PHASE

3000K, L90@50,000+, 25.2W, 2710lm max
 4000K, L90@50,000+, 25.2W, 2870lm max

DALI

3000K, L90@50,000+, 37.8W, 4000lm max
 4000K, L90@50,000+, 37.8W, 4200lm max

Higher outputs available, contact sales for information.

Switching & Dimming

Switching: Hardwired to power supply, wall switched
 Dimming: Integrated DALI and Leading or Trailing edge
 Phase dimming options only

.IES & .RFA files upon request

ORDER INFO

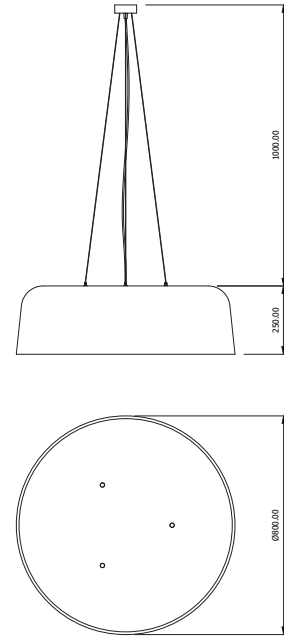
Product range - Model number - Finish/Colour

(External/Internal)	Traffic White/White	Marine/White	Quartz Grey/White	Signal Orange/White
Large Phase Dim	CH-P05-129	CH-P05-130	CH-P05-131	CH-P05-132
Large DALI Dim	CH-P06-129	CH-P06-130	CH-P06-131	CH-P06-132

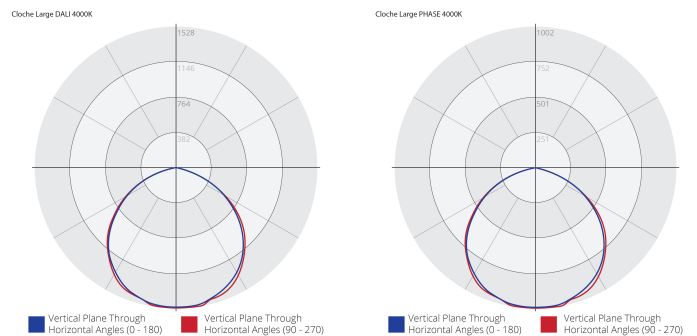
Please specify lamp colour temperature required.

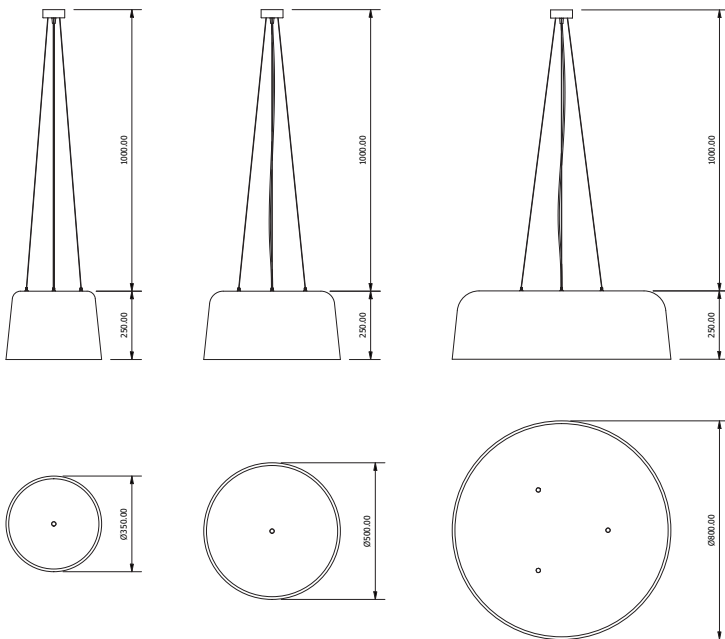


DIMENSIONAL DRAWING



PHOTOMETRIC DATA





CLOCHE PENDANT

Spun aluminium shade is available with gloss white interior and a variety of exterior powdercoat colours.

ism

www.ismobjects.com.au

©2023

Specifications are subject to change without notice.