

CLINKER

PENDANT

SMALL

FITTING INFORMATION

SHADE

Material : Aluminium
 External colour : Classic White, Matt Black or Natural Copper
 Internal colour : Classic White, Matt Black or Natural Copper
 Size : Ø550mm x H160mm
 Diffuser : Matt White acrylic
 Cleaning : Damp cloth with mild detergent

Suspension - adjustable on installation

Flex & 3 Stainless Steel suspension:
 Flex Colour: Clear
 Length: 1160mm overall
 Custom lengths available on request.

Canopy

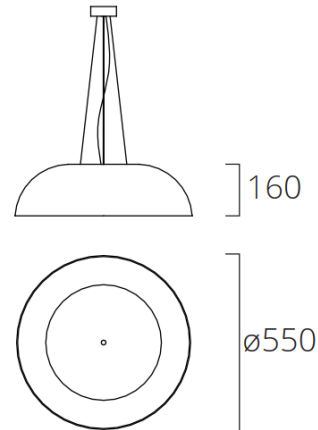
Material: Aluminium
 Finish: White with White shade exterior, Black with Black and Natural Copper exterior
 Size: Ø80mm x H30mm

Application

Indoor (IP20)



DIMENSIONAL DRAWING



TECHNICAL DATA

Lamp

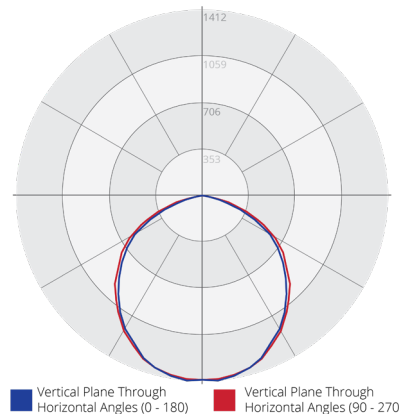
Led Module with integrated ECG
 PHASE Dim, 3000K, 24.5W, 3187lm max
 PHASE Dim, 4000K, 24.5W, 3262lm max
 DALI Dim, 3000K, 36.75W, 4310lm max
 DALI Dim, 4000K, 36.75W, 4390lm max

Switching & Dimming

Switching: Hardwired to power supply, wall switched
 Dimming: Integrated DALI and leading or trailing edge
 Phase dimming options only

.IES & .RFA files upon request

PHOTOMETRIC DATA



ORDER INFO

Product range - Model number - Finish/Colour

(External/Internal)	Classic White/Classic White	Classic White/Matt Black	Classic White/Natural Copper	Matt Black/Classic White	Matt Black/Matt Black	Matt Black/Natural Copper	Natural Copper/Classic White	Natural Copper/Matt Black	Natural Copper/Natural Copper
Small Phase Dim	CL-P105-124	CL-P105-114	CL-P105-120	CL-P106-124	CL-P106-114	CL-P106-120	CL-P107-124	CL-P107-114	CL-P107-120
Small DALI Dim	CL-P72-124	CL-P72-114	CL-P72-120	CL-P73-124	CL-P73-114	CL-P73-120	CL-P74-124	CL-P74-114	CL-P74-120

Please specify lamp colour temperature required.



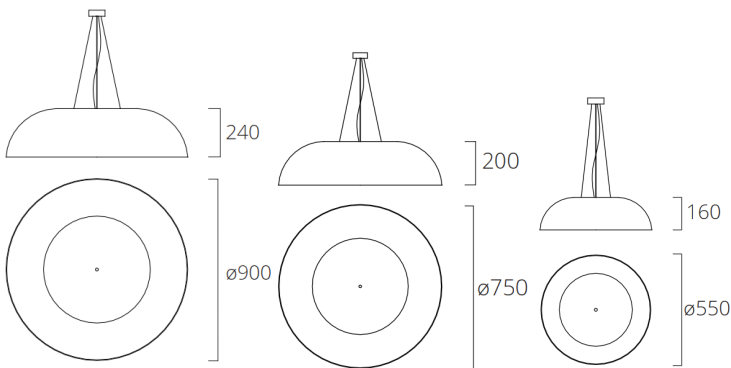
www.ismobjects.com.au



CLINKER

P E N D A N T

Clinker Small, Medium, and Large pendant.
 Aluminium Canopy, Stainless wire & clear cable
 suspension. Spun aluminium double shade with
 choice of powdercoat colour combinations.



ism

www.ismobjects.com.au

©2022

Specifications are subject to change without notice.